

METRIC DIMENSIONS

RACER MODEL	A	B	C	D	E	WEIGHT (kg)	WEIGHT (lb)	BOAT LENGTH	STERN ANCHOR
R1	430	260	250	85	115	1.0	2.2	10 - 15 ft	575
R2	490	280	275	90	115	1.2	2.7	15 - 20 ft	575
R3	545	315	310	100	115	1.5	3.4	20 - 25 ft	575
R4	660	380	375	120	155	3.1	6.9	25 - 30 ft	575
R5	725	420	410	130	155	3.6	8.0	30 - 35 ft	575
R6	800	520	460	170	155	4.4	10.0	35 - 40 ft	575
R7	885	560	515	185	155	000	000	40 - 45 ft	575
R8	000	000	000	000	000	000	000	45 - 50 ft	575
R9	000	000	000	000	000	000	000	50 - 55 ft	575
R10	000	000	000	000	000	000	000	55 - 60 ft	575
R11	000	000	000	000	000	000	000	60 - 65 ft	575
R12	000	000	000	000	000	000	000	65 - 70 ft	575

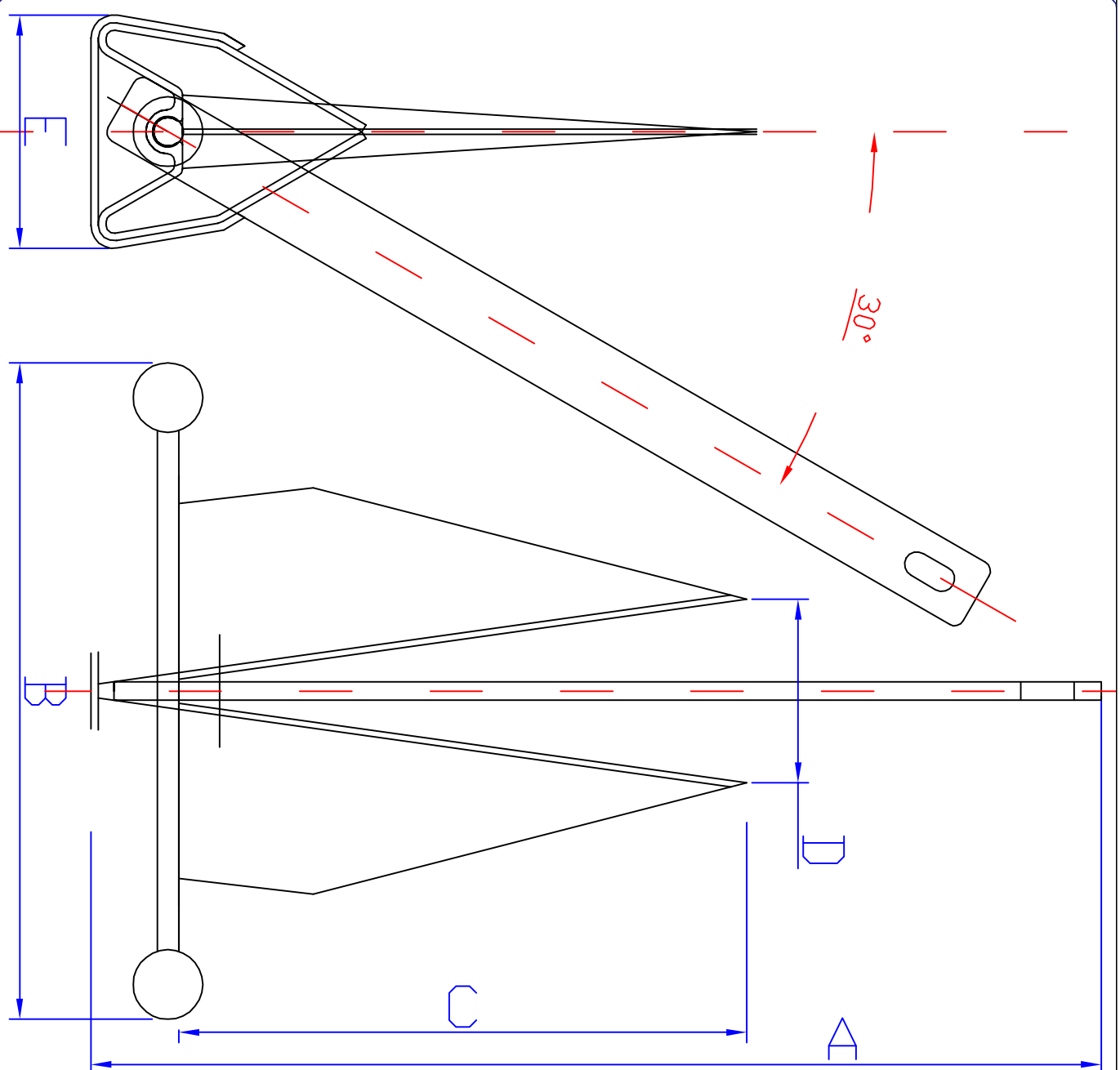
NOTE 1: THE RACER SIZING IS RECOMMENDED FOR RACING YACHTS WHICH ARE PREDOMINANTLY VERY LIGHT DISPLACEMENT. THESE SIZES SHOULD NOT BE TAKEN AS ACCURATE FOR LAUNCHES OR CRUISING YACHTS.

NOTE 2: STERN ANCHOR SIZING IS BASED ON BOAT DISPLACEMENT, IF IN DOUBT, OPT FOR THE NEXT SIZE UP. OR EMAIL MANSON

NOTE 3: STERN ANCHOR SIZING IS BASED ON BOAT DISPLACEMENT, IF IN DOUBT, OPT FOR THE NEXT LARGEST SIZE.

IMPERIAL DIMENSIONS

RACER MODEL	A	B	C	D	E	WEIGHT (kg)	WEIGHT (lb)	BOAT LENGTH	STERN ANCHOR
R1	17	10 $\frac{1}{4}$	9 $\frac{3}{4}$	3 $\frac{1}{4}$	4 $\frac{1}{2}$	1.0	2.2	10 - 15 ft	575
R2	19 $\frac{1}{4}$	11	10 $\frac{3}{4}$	3 $\frac{1}{2}$	4 $\frac{1}{2}$	1.2	2.7	15 - 20 ft	575
R3	21 $\frac{1}{2}$	12 $\frac{1}{2}$	12 $\frac{1}{4}$	4	4 $\frac{1}{2}$	1.5	3.4	20 - 25 ft	575
R4	26	15	14 $\frac{3}{4}$	4 $\frac{3}{4}$	6	3.1	6.9	25 - 30 ft	575
R5	28 $\frac{1}{2}$	16 $\frac{1}{2}$	16 $\frac{1}{4}$	5	6	3.6	8.0	30 - 35 ft	575
R6	31 $\frac{1}{2}$	19 $\frac{3}{4}$	18	6	6	4.4	10	35 - 40 ft	575
R7	34 $\frac{3}{4}$	22	20 $\frac{1}{4}$	7 $\frac{1}{4}$	8 $\frac{1}{2}$	000	000	40 - 45 ft	575
R8	000	000	000	000	000	000	000	45 - 50 ft	575
R9	000	000	000	000	000	000	000	50 - 55 ft	575
R10	000	000	000	000	000	000	000	55 - 60 ft	575
R11	000	000	000	000	000	000	000	60 - 65 ft	575
R12	000	000	000	000	000	000	000	65 - 70 ft	575



RACER ANCHOR GENERIC DIMENSIONS

REVISIONS		NOTES	
NO.	DATE	BY	SCALE
1			A1
2			A2
3			A3
4			A4

DETAILS		NOTES	
NO.	DATE ISSUED	SCALE	BY
1		A1	AS
2		A2	AS
3		A3	AS
4		A4	AS

DETAILS		NOTES	
NO.	DATE ISSUED	SCALE	BY
1		A1	AS
2		A2	AS
3		A3	AS
4		A4	AS

MANSON ANCHORS

Mail: PO Box 104 035, Lincoln North
 Physical: 14 Paramount Drive
 Henderson, Auckland
 New Zealand

P: +649 835 0968 F: +649 835 0481
 e: info@mansonanchors.com www.mansonanchors.com

